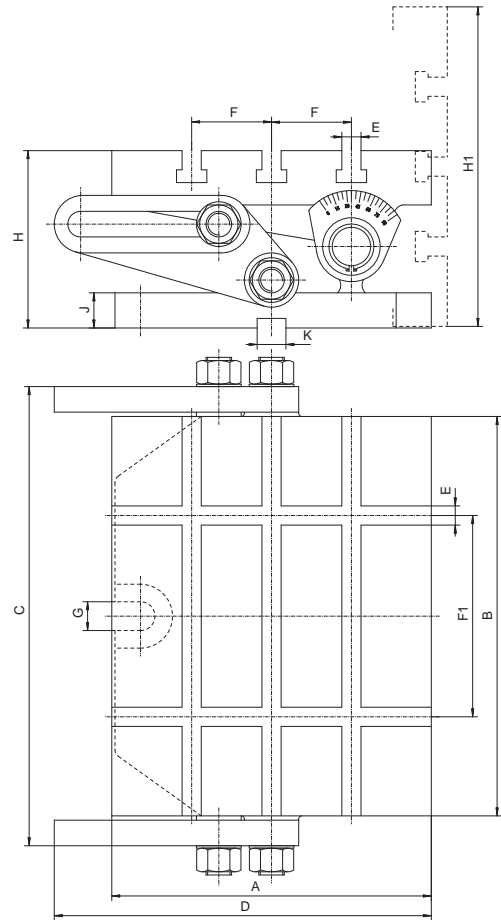
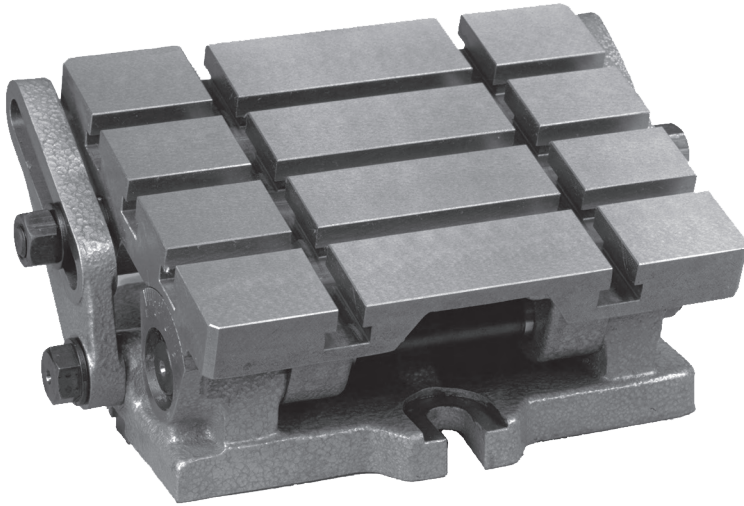


**Type 5150, 5155**



4

**Features:**

- Easily set at any angle between horizontal and vertical plates
- The plate will accept accessories and workpieces larger than the table top
- Swivel plates type 5155 (sine) permit accurate angle setting in 0-60° range by means of gauge blocks
- 2 screws lock setting
- Heavy castings of high quality cast iron
- Rugged construction

**Application:**

- Designed for milling and drilling operations at angled positions

Type - Size	A	B	C	D	E	F	F1	G	H	H1	J	K H7	Weight (kg)
5150-200x250	200	250	324	236	12	50	126	18	111	201	22	18	19
5150-250x315	250	315	405	306	14	63	160	18	127	252	25	18	28
5155-200x250	200	250	324	236	12	50	126	18	111	201	22	18	19
5155-250x315	250	315	405	306	14	63	160	18	127	252	25	18	28

Example of order: 5150-200x250